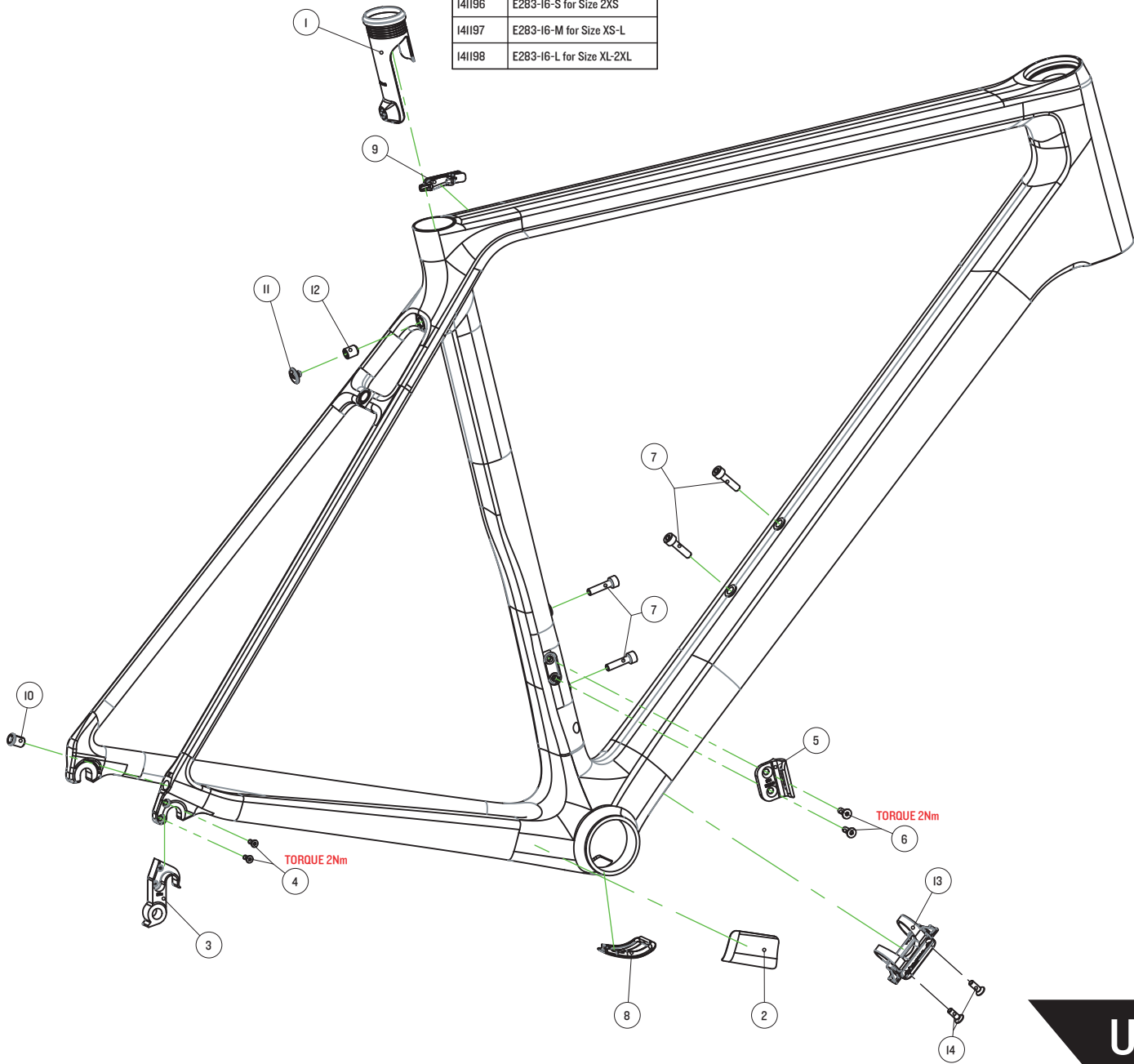


S/T-Insert	
141196	E283-16-S for Size 2XS
141197	E283-16-M for Size XS-L
141198	E283-16-L for Size XL-2XL



After market products			
EP/GP#	Pos.Nr.	QTY.	Canyon#
#35	3	1x	140986
	4	2x	
GP7012-01	8 (E403-16), 9 (E285-16), 10 (E161-13), JW CC307-A, E164-13, EP0638-01	1x 1x 1x 1x 1x 1x	10007010
GP7014-01	5 (E284-16), 6	1x 2x	10007012
GP7007-01	2 (E289-16), Protection foil C/S	1x 1x	10007005
GP7009-01	13 (E160-13), 14	1x 2x	10007007
E283-16-S E283-16-M E283-16-L	1	1x	141196 141197 141198
GP7024-01	11 (EP0424-01), 12	2x 1x	10007136
GP7025-01	7	4x	10007137

ULTIMATE CF SL EL | R043-01



REVISION 00 | 27.05.2021

THIS TECHNICAL DOCUMENT, INCLUDING ANY PICTURES AND VIDEOS PROVIDED, IS COPYRIGHT-PROTECTED AND INTENDED SOLELY FOR USE IN YOUR OPERATION BY DULY AUTHORIZED PERSONNEL.